

INPUT CHARACTERISTICS:**MPN3-6570P**

- VOLTAGE: 90 - 264 VAC FULL RANGE
- FREQUENCY: 47 - 63 Hz
- INPUT CURRENT: 10/5.0A (90 / 180 VAC)
- INRUSH CURRENT: 30A / 60A MAX. FOR 115 / 230 VAC PER MODULE

OUTPUT CHARACTERISTICS:

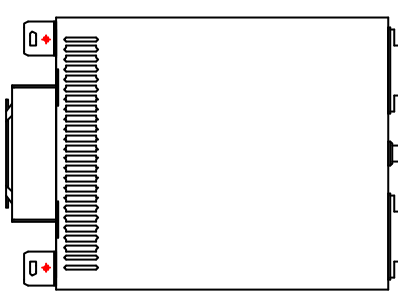
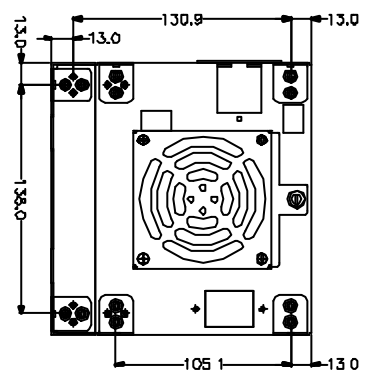
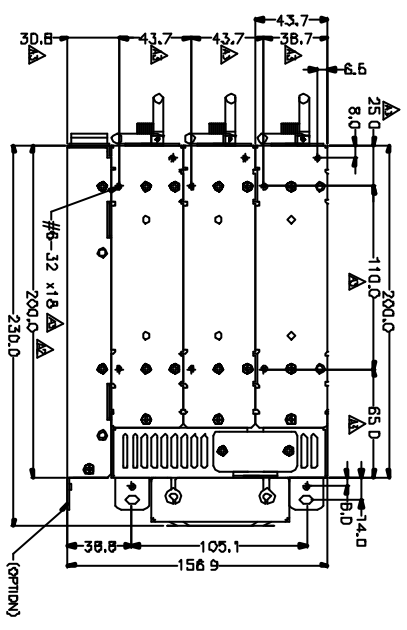
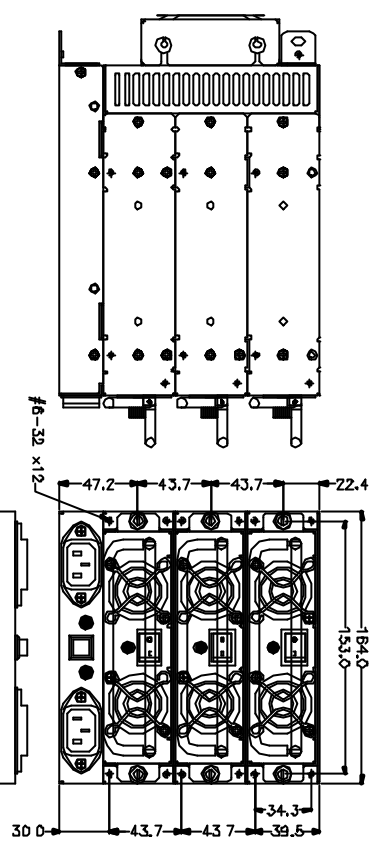
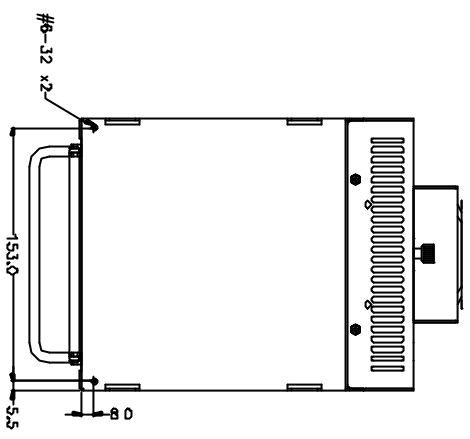
OUTPUT VOLTAGE	OUTPUT CURRENT			REGULATION		OUTPUT
	MIN. [A]	MAX. [A]	PEAK(A)	LOAD	LINE	RIPPLE & NOISE MAX. [P-P]
5V	3.0	50	60	± 5%	± 1%	50mV
12V	1.5	24	32	± 6%	± 1%	100mV
-5V	0.05	0.5		±11%	± 1%	120mV
-12V	0.05	0.5		± 11%	± 1%	120mV
3.3V	1	40	50	± 5%	± 1%	50mV
+5VSB	0.1	1.5		± 6%	± 1%	50mV

REMARKS: TOTAL OUTPUT CURRENT OF +5V AND +3.3V NOT EXCEED 70 A
TOTAL OUTPUT OF +5V AND +3.3V, AND 12V NOT EXCEED 570 W

- TEMPERATURE RANGE: OPERATING 0 --- 40
- HOLD UP TIME: 16 ms MINIMUM AT FULL LOAD & 90 VAC INPUT VOLTAGE
- DIELECTRIC WITHSTAND: INPUT / OUTPUT 1500 VAC FOR 1 SECOND
INPUT TO FRAME GROUND 1500 VAC FOR 1 SECOND
- EFFICIENCY: 68% TYPICAL AT FULL LOAD
- POWER GOOD SIGNAL: ON DELAY 100 ms TO 500 ms
- OVER LOAD PROTECTION: 130 +/- 20%
- OVP : **+5V → 5.7 ~ 6.5V, 12V → 13.6 ~ 15.0V, 3.3V → 3.9 ~ 4.3 V**
- SHORT CIRCUIT PROTECTION: **Shut down and latch off**
- EMI NOISE FILTER: FCC CLASS B, CISPR22 CLASS B
- SAFETY: MEET UL 1950, CSA 22.2 NO/ 950, TÜV IEC 950
- REMOTE ON / OFF CONTROL
THE UNIT SHALL ACCEPT A LOGIC OPEN COLLECTOR LEVEL WHICH WILL DISABLE / ENABLE ALL THE OUTPUT VOLTAGE (EXCLUDE +5V STANDBY), AS LOGIC LEVEL IS LOW, OUTPUTS VOLTAGE WERE ENABLE, AS LOGIC LEVEL IS HIGH, OUTPUTS VOLTAGE WERE DISABLE.
- N + 1 REDUNDANCY FUNCTION
- HOT-SWAPPABLE FUNCTION
- CURRENT / BALANCE LOAD SHARING DESIGN
- 3.3V / 5V REMOTE SENSING
- WARNING : AUDIO ALARM, LEDS, POWER DEFECTIVE SIGNAL
- ISOLATION: BUILT-IN IN POWER MODULE
- POWER FACTOR CORRECTION: ACTIVE (MEET IEC-1000-3-2)
- COOLING: TWO 40mm DC FANS & CHASSIS COOLING
- DIMENSION: 200 (D) x 164 (W); 113.20 (H) w / POWER SOURCE KIT, w/O 88.4 mm
- CONNECTION: 48 PINS CONNECTOR (EPT PART NO. 109-40064 OR EQUIVALENT)
-

2000/01/12

REV	REVISIONS	DATE
A2	增加長度	MAR/17/98
A3	增加側面抽穿孔	DIC-20-1999



鏡射公差: .XXX ±.025
 TOLERANCES: XX ±.100
 X ±.250

材料規格: MATERIAL:
 核准者: BY:
 審核者: DATE:
 繪圖者: DATE:
 DRAW BY: DATE:

新巨企業股份有限公司
ZIPPY TECHNOLOGY CORP.
 POWER DIVISION
 MODEL NO. **MRN3 外觀尺寸圖 (1)**

投影法: 第三角法
 PROJECTION:
 圖號: **MRN3MA00** 檔案: **MRN3MA00**
 DRAW NO. REV. NO. **A3** SHEET: **A0** 圖號: **OF**
 UNITS: mm